

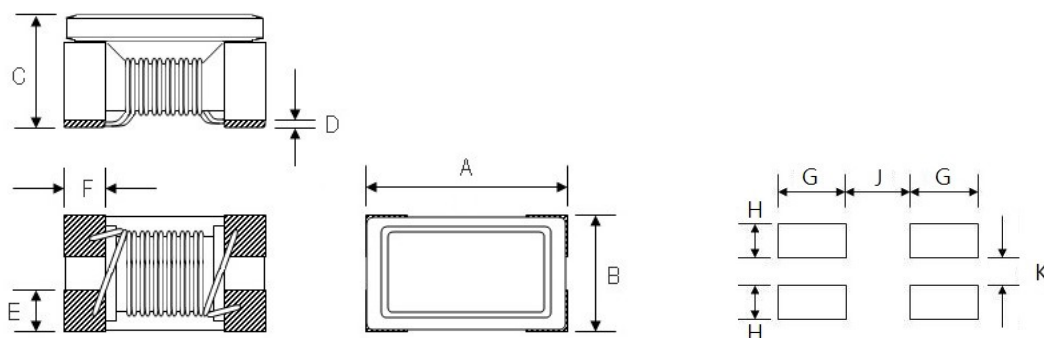
Wire Wound Common Mode Choke

Description

The MFP Series is a Wire wound miniature common mode filter specifically designed to eliminate common mode noise in Power Line.

A dual winding configuration in a tight form factor provides exceptional EMI reduction in space-constrained environments.

Dimensions and footprint (Unit : mm)



Unit : mm

Size	A	B	C	D	E	F	G	H	J	K
MFP-3216A	3.20±0.2	1.60 ±0.2	1.90±0.2	0.20±0.1	0.60	0.60	1.05	0.60	1.60	0.40
MFP-3225A	3.20±0.2	2.50 ±0.2	2.20±0.2	0.20±0.1	0.85	0.65	0.90	0.90	1.90	0.75
MFP-4532A	4.50±0.2	3.20 ±0.2	2.80±0.2	0.20±0.1	1.20	1.00	1.35	1.32	2.40	0.75

Part Number Code

MFP - 3216 A - 10 1 S - M01
 1 2 3 4 5 6 7

- 1、Series Name
- 2、Size Code : the first two digitals : length(mm), the last two digitals : width(mm)
- 3、Shielding Type : A : For 1GHz
- 4、Impedance(Ω) { (ex : 600=60Ω ; 601=600Ω)
- 5、Fixed Decimal Point
- 6、Tolerance : S=±25%、M=±20%、N=±30%
- 7、Special specification products

Specification

Part No.	Impedance (Ω) 100MHz	DCR (Ω) (max)	IDC (A) (max)	Rated Voltage Vdc (V)Typical	Insulation Resistance IR (M Ω) Min.	Withstand Voltage (Vdc)
MFP-3216A-370	37	0.10	1.00	50	10	125
MFP-3216A-101	100	0.14	0.85	50	10	125
MFP-3216A-171	170	0.18	0.70	50	10	125
MFP-3216A-261	260	0.22	0.60	50	10	125
MFP-3216A-371	370	0.26	0.60	50	10	125
MFP-3216A-531	530	0.30	0.60	50	10	125
MFP-3216A-671	670	0.34	0.50	50	10	125
MFP-3216A-871	870	0.39	0.50	50	10	125
MFP-3216A-112	1100	0.44	0.50	50	10	125

Part No.	Impedance (Ω) 100MHz	DCR (Ω) (max)	IDC (A) (max)	Rated Voltage Vdc (V)Typical	Insulation Resistance IR (M Ω) Min.
MFP-3225A-800	80	0.15	2.0	50	10
MFP-3225A-601	600	0.25	1.0	50	10
MFP-3225A-102	1000	0.35	1.2	50	10
MFP-3225A-601-M01	600	0.08	1.5	50	10
MFP-3225A-102-M01	1000	0.10	1.2	50	10
MFP-3225A-102-M02	1000	0.055	1.2	50	10

Part No.	Impedance (Ω) 100MHz	DCR (Ω) (max)	IDC (A) (max)	Rated Voltage Vdc (V)Typical	Insulation Resistance IR (M Ω) Min.
MFP-4532A-800	80	0.07	3.0	50	10
MFP-4532A-121	120	0.07	3.0	50	10
MFP-4532A-201	200	0.10	2.0	50	10
MFP-4532A-601	600	0.30	1.5	50	10
MFP-4532A-801	800	0.35	1.0	50	10
MFP-4532A-102	1000	0.40	1.0	50	10