

Balun Transformers

Features

Double aperture core transformer has been specially developed for these RF applications keeping size and surface mountable as a constant feature.

Application

Double balance mixers, broad-band transformer, impedance transformer, etc.

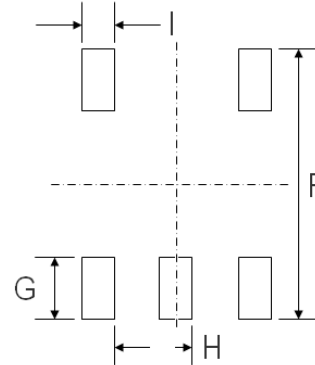
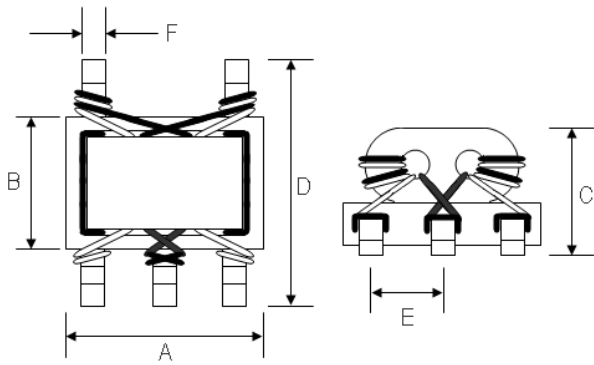


Fig-1

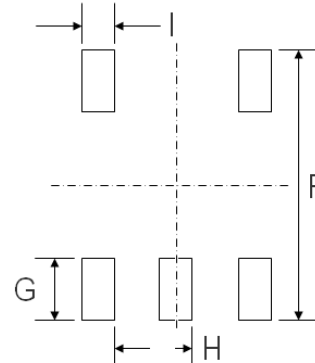
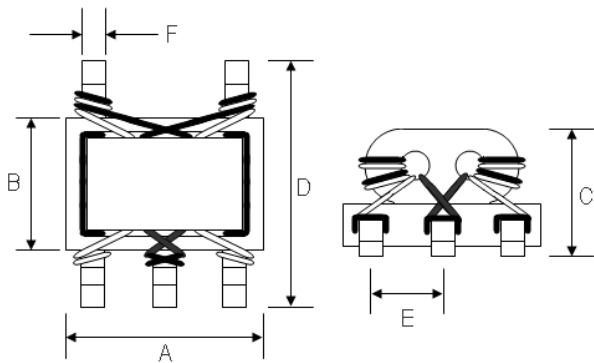


Fig-2

Unit : mm

Size	A	B	C	D	E	F	G	H	I	Fig
MSB-32	4.40±0.2	4.00±0.2	3.20 max	5.50±0.2	1.50±0.1	5.70	1.30	1.50	0.80	1
MSB-44	6.00±0.2	4.00±0.2	4.40 max	6.20±0.2	2.00±0.1	6.80	1.30	2.00	1.00	2

Part Number Code

MSB - 32 - 1023
 1 2 3

- 1 - Series Name
- 2 - Size Code : the digitals : Height(mm)
- 3 - Products code name

Standard Specifications

	Part Number	Winding Tums	Operating Frequency Renge	Insertion loss	Pin Connection Fig.
Double Balanced Mixer	MSB-32 - 1007	2	25MHz~2000MHz	3dB max.	1
	MSB-32 - 1009	3	6MHz~2000MHz	3dB max.	1
	MSB-32 - 1006	3	150MHz~2300MHz	3dB max.	1
	MSB-32 - 1010	4	3.5MHz~2000MHz	3dB max.	1
	MSB-32 - 1018	5	2MHz~2000MHz	3dB max.	1
Frequency Mixer	MSB-32 - 1019	2	8MHz~750MHz	3dB max.	2
	MSB-32 - 1026	3	3.5MHz~700MHz	3dB max.	2
Balun Transformer	MSB-32 - 1021	1 1/2	20MHz~750MHz	3dB max.	3
	MSB-32 - 1022	2 1/2	4.5MHz~3300MHz	3dB max.	3
	MSB-32 - 1023	3 1/2	2.3MHz~2700MHz	3dB max.	3
	MSB-32 - 1024	4 1/2	1.5MHz~2400MHz	3dB max.	3
Distributor	MSB-32 - 1079	2	1300MHz~1700MHz	IN to OUT-1, 2 4.5dB max.	4
	MSB-32 - 1076	3	20MHz~600MHz	OUT-1 to OUT-2(ISOLATION) 15dB min.	4

	Part Number	Winding Tums	Operating Frequency Renge	Insertion loss	Pin Connection Fig.
Double Balanced Mixer	MSB-44 - 1012	1	50MHz~400MHz	10dB max.	1
	MSB-44 - 1013	2	10MHz~1.0GHz	6dB max.	1
	MSB-44 - 1003	3	8MHz~800MHz	3.5dB max.	1
	MSB-44 - 1008	4	6MHz~600MHz	3.5dB max.	1
	MSB-44 - 1011	5	5MHz~500MHz	2dB max.	1
	MSB-44 - 1005	2	400MHz~1.3GHz	4dB max.	1
Frequency Mixer	MSB-44 - 1052	2×2 2	9MHz~350MHz	3dB max.	2
	MSB-44 - 1024	3×2 3	3.5MHz~470MHz	3dB max.	2
	MSB-44 - 1086	4×2 4	2.2MHz~400MHz	3dB max.	2
	MSB-44 - 1087	5×2 5	1.5MHz~300MHz	3dB max.	2
Distributor	MSB-44 - 1014	3	20MHz~600MHz	IN to OUT-1, 2 4.5dB max. OUT-1 to OUT-2 (ISOLATION) 10dB min.	3
Directional Coupler	MSB-44 - 1015	4	20MHz~600MHz	IN to OUT -1 1.3dB max. IN to OUT -2 11dB~14dB	4
	MSB-44 - 1006	5	20MHz~600MHz	IN to OUT -1 0.9dB max. IN to OUT -2 13dB~16dB	4
	MSB-44 - 1007	6	20MHz~600MHz	IN to OUT -1 0.8dB max. IN to OUT -2 15dB~17dB	4

MSB-32 Pin Connection

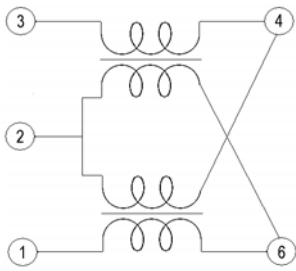


Fig 1

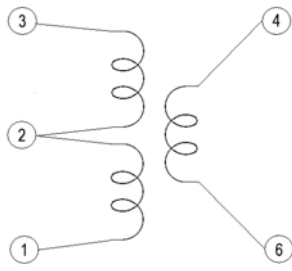


Fig 2

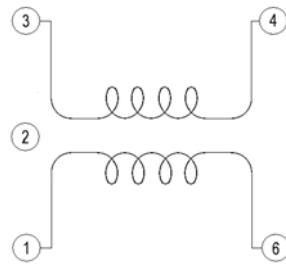


Fig 3

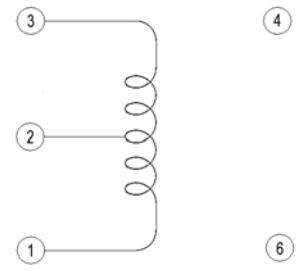


Fig 4

MSB-44 Pin Connection

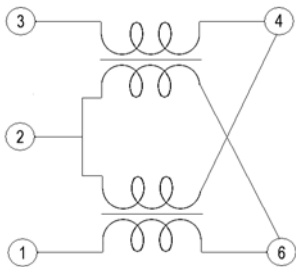


Fig 1

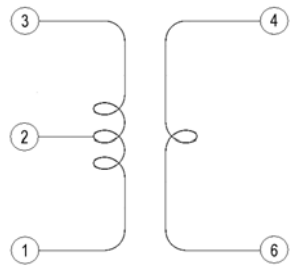


Fig 2

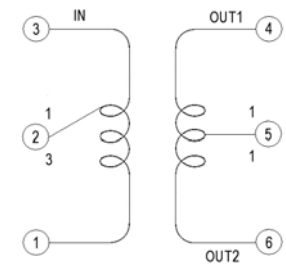


Fig 3

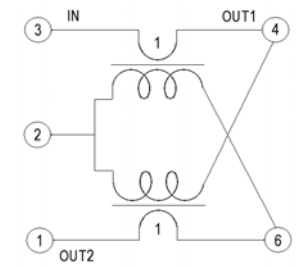


Fig 4